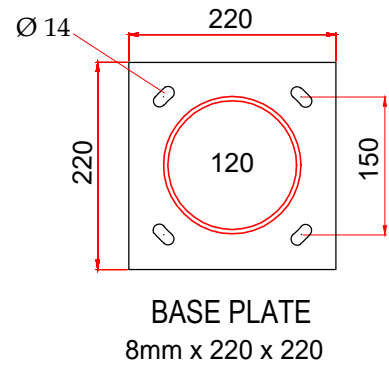
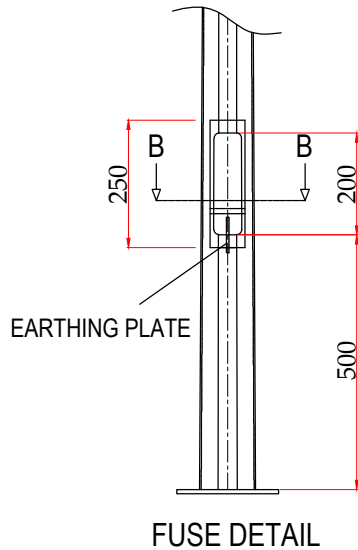
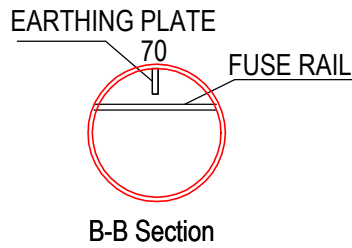
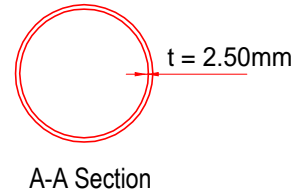
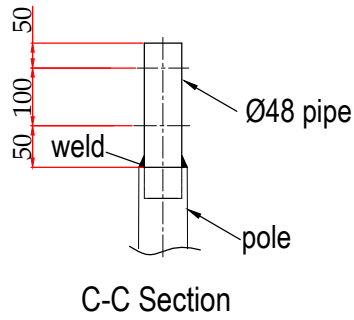
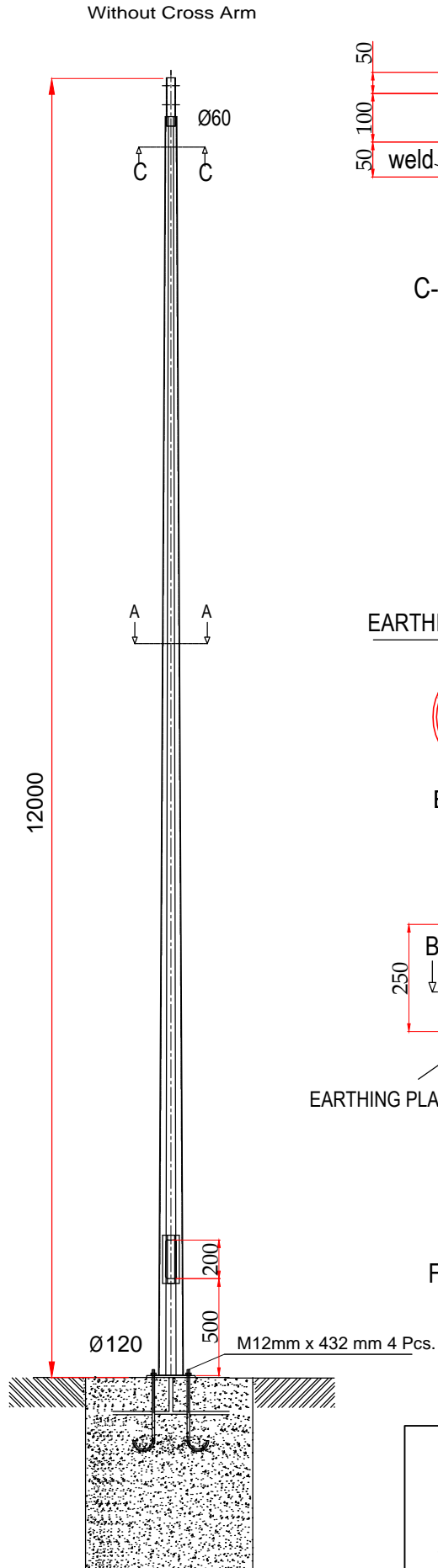


# 12M CONIC ROTUND

Model : PLG12M  
HOT DIP GALVANIZED POLE



NOTA: TOTI STALPII SE POT PERSONALIZA IN  
FUNCTIE DE CERINTELE PROIECTULUI

Plate Standard : EN 10025  
Production Standard : EN 40-5  
Galvanizing Standard : EN 1461

**URBIO PALAGIO SRL**  
Str 1 Decembrie, nr 14, Selimbar, Jud Sibiu

ST-O.12M. Model:PLG12M

without Cross Arm

Steel : S235 S235JR (ST37)

www.palagio.ro

Rev : 1